

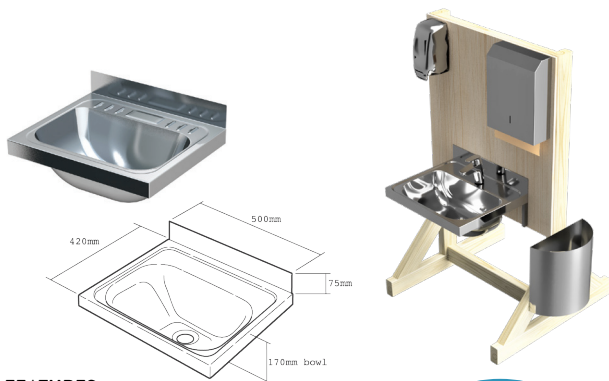
CONSTRUCTION SITE SANITISE STATIONS

AceroTM
On these shores since 1884

In line with the NZ COVID-19 protocol, Alert Level Three requires all construction workers or people on the site to wash or clean their hands before entering and leaving. Acero have a range of products AVAILABLE AND IN STOCK to create a sanitising station at the entrance and within a construction site.

Below is a small range of what we offer, to see our full range of commercial Stainless Steel go to <https://www.acero.co.nz/commercial-stainless-overview>

G1 HAND WASH BASIN



FEATURES

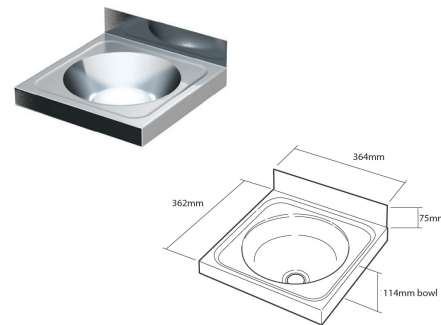
- New Zealand made
- Bowl 280 x 440 x 170mm
- 0.9mm, 304 grade stainless steel
- Brackets included
- 40mm waste outlet, plug & waste included
- Antispill edge

OPTIONAL

- Tapholes punched

Installation instructions available for free standing frame if required.

G4 HAND WASH BASIN



FEATURES

- New Zealand made
- Bowl Ø 280mm
- 0.9mm, 304 grade stainless steel
- Waste bracket included
- 40mm waste outlet, plug & waste included
- Antispill edge

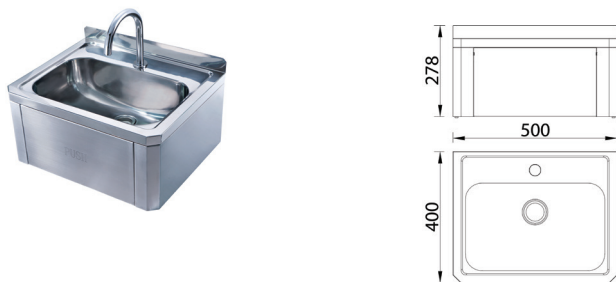
OPTIONAL

- Tapholes punched

Lowest cost option

HFB1 HANDS FREE KNEE OPERATED BASIN

CLEARANCE - ONLY 16 AVAILABLE



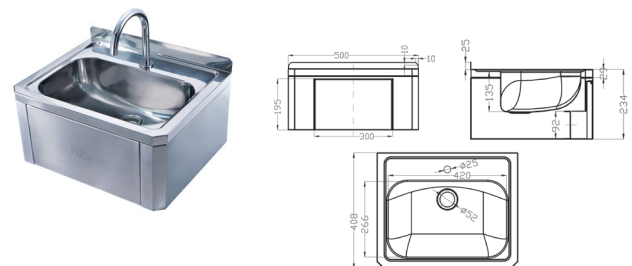
FEATURES

- Hands free operation – knee panel
- Gooseneck spout
- Knee panel operated panel
- Valve water flow is 15 seconds
- Flexible connection
- 40mm stainless steel flat waste
- Rear keyhole fixing points
- Antispill edge

No tempering valve

HFB3 HANDS FREE KNEE OPERATED BASIN

NEW MODEL - ARRIVING MAY 1ST



FEATURES

- Hands free operation – knee panel
- Tempering valve
- Gooseneck spout
- Knee panel operated panel
- Valve water flow is 15 seconds
- Flexible connection
- 50mm waste outlet, plug & waste included
- Rear keyhole fixing points
- Antispill edge

With tempering valve

If you would like any more information on our construction site solutions, please call your local Territory Manager or our Customer Service Team on 0800 263 7237. **Acero products are available from your local Plumbing Merchant.**

If you don't have a copy of our Commercial stainless steel brochure and would like more information on our range of products it is available for download on our website <https://www.acero.co.nz/brochures>

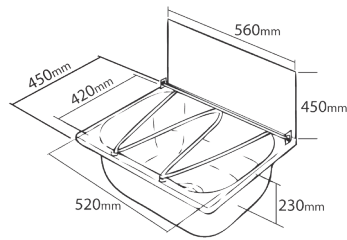
CONSTRUCTION SITE SANITISE STATIONS

AceroTM
On these shores since 1884

In line with the NZ COVID-19 protocol, Alert Level Three requires all construction workers or people on the site to wash or clean their hands before entering and leaving. Acero have a range of products AVAILABLE AND IN STOCK to create a sanitising station at the entrance and within a construction site.

Below is a small range of what we offer, to see our full range of commercial Stainless Steel go to <https://www.acero.co.nz/commercial-stainless-overview>

XL CLEANER SINK



BUCKET GRID DIFFERS FROM WHAT IS SHOWN IN IMAGE

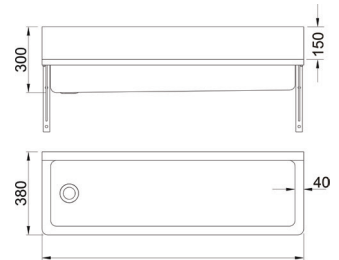
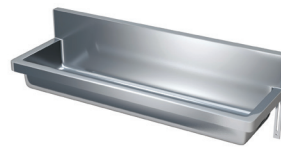
FEATURES

- New Zealand made
- 0.8mm, 304 grade stainless steel
- 450mm back upstand
- Includes brackets
- 90mm waste outlet

OPTIONAL

- Bucket Grid
- Side upstand
- Overflow

WTB WASH TROUGHS

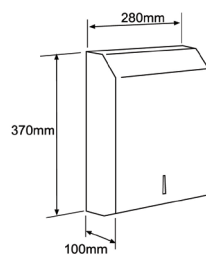


FEATURES

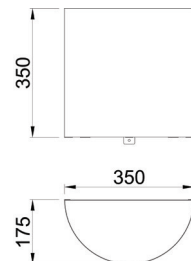
- Heavy duty 1.2mm, 304 grade stainless steel
- Radius internal corners - easy cleaning
- Radius external corners - added safety
- Left hand waste position
- Wall Mounting Brackets Supplied
- 40mm stainless steel flat waste
- Ideal for schools, kindergartens, factories and public amenities

Model	Length
WTB600L	600mm
WTB900L	900mm
WTB1200L	1200mm
WTB1500L	1500mm
WTB1800L	1800mm
WTB2100L	2100mm

PTDSS1 STAINLESS STEEL PAPER TOWEL DISPENSER



RBSS1 STAINLESS STEEL RUBBISH BIN



If you would like any more information on our construction site solutions, please call your local Territory Manager or our Customer Service Team on 0800 263 7237. **Acero products are available from your local Plumbing Merchant.**

If you don't have a copy of our Commercial stainless steel brochure and would like more information on our range of products it is available for download on our website <https://www.acero.co.nz/brochures>