

# Acero™

On these shores since 1884

## HAND WASH STATION CONSTRUCTION GUIDE

Quick Guide outlining material needed to construct a temporary mounting stand for the Acero G1 wash basin, paper towel dispenser and rubbish bin.

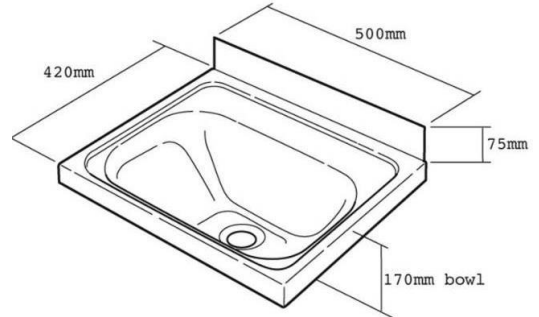


# SUGESSTED MOUNTING OPTIONS

The Acero G1 basin can be fitted to a wall or a stand as below.

## Materials Needed:

- Frame - 90 x 45 - Approximately 12m required
- Fastenings - 90mm x 10 g screws or 90 mm nails
- Acero NZ Made G1 Wash basin (brackets included)
- PTDSS1 Paper towel dispenser
- RBSS1 Rubbish Bin
- Optional Plywood – min 12mm thick



Optional 12mm Plywood

